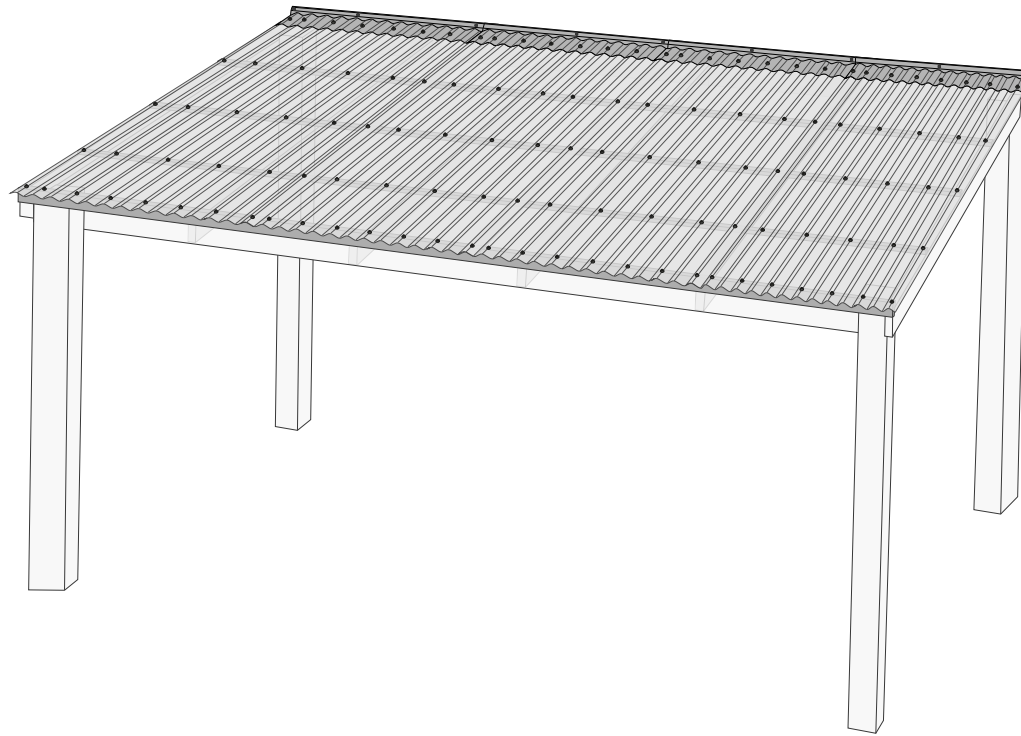




# DIY Corrugated Sheets | Installation Guide

SUNTUF® Beehive | SUNTUF® Iron/Greca | PALRUF® Iron/Greca



Easy to install



Hail & impact resistant



UV resistance



Minimal maintenance

[SUNTUF® Beehive - Product Page](#) 

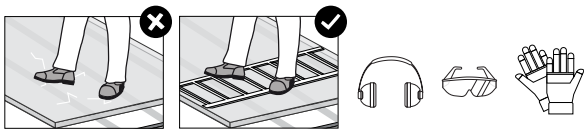
[SUNTUF® DIY - Product Page](#) 

[PALRUF® DIY - Product Page](#) 

## Before Installation

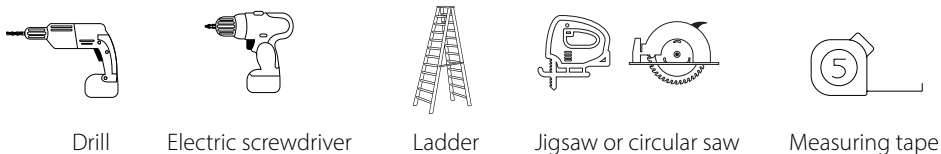
### Safety comes first

When installing roofing sheets or doing maintenance work, always use ladders or crawl boards, supported by minimum three roof structural elements.



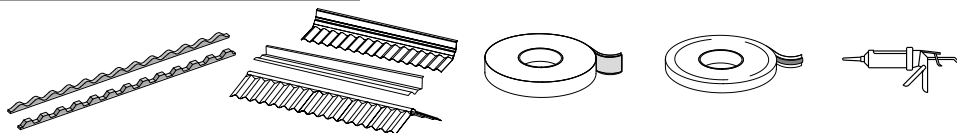
**Do not step directly on the sheets between the purlins!**

### Required tools



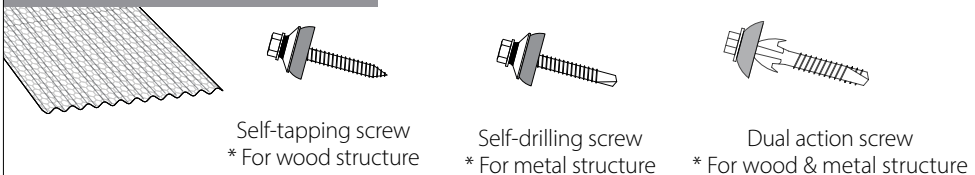
Drill    Electric screwdriver    Ladder    Jigsaw or circular saw    Measuring tape

### Accessories



Closure strips    Wall trim accessories    Foam tape    Butyl sealing tape    Silicone

### Screws for SUNTUF Beehive



Self-tapping screw  
\* For wood structure

Self-drilling screw  
\* For metal structure

Dual action screw  
\* For wood & metal structure

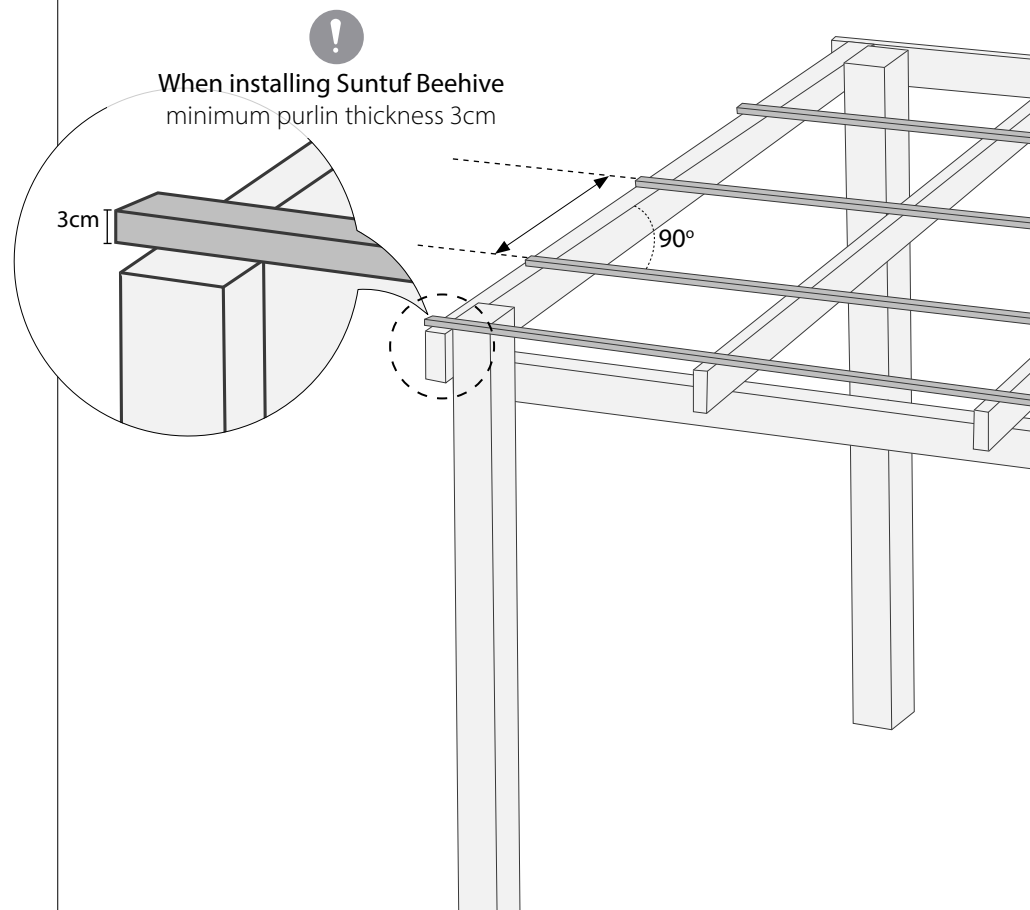
### Screws for SUNTUF/PALRUF



Self-tapping screw  
\* For wood structure

Self-drilling screw  
\* For metal structure

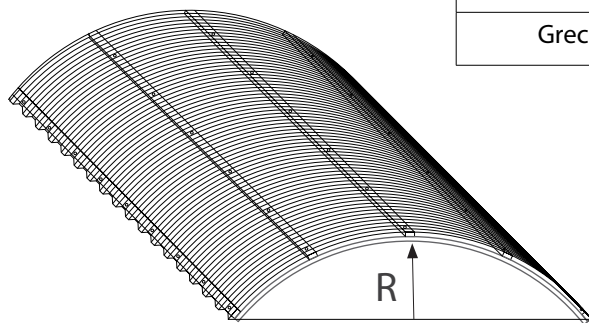
### Purlin spacing



| Profile        | Distance between purlins | Minimum purlins thickness |
|----------------|--------------------------|---------------------------|
| Suntuf Beehive | 800-1250mm               | 3cm                       |
| Iron/Greca     | 600-800mm                | 2cm                       |

## Before Installation

### Minimum arching radius

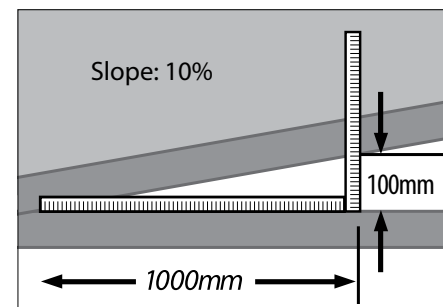


|                |    |
|----------------|----|
| Suntuf Beehive | 7m |
| Iron           | 4m |
| Greca          | 4m |

### Ensure minimum roof pitch



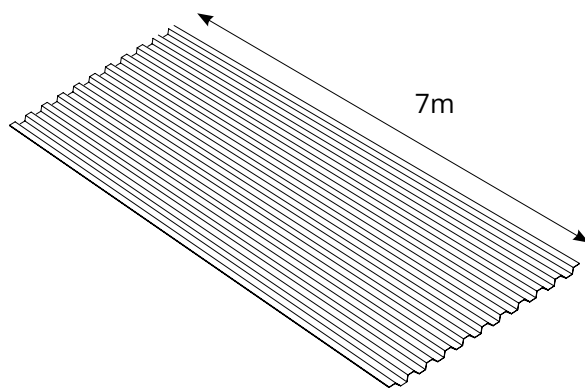
This minimum pitch will ensure proper water runoff and keep the roof panels clean.



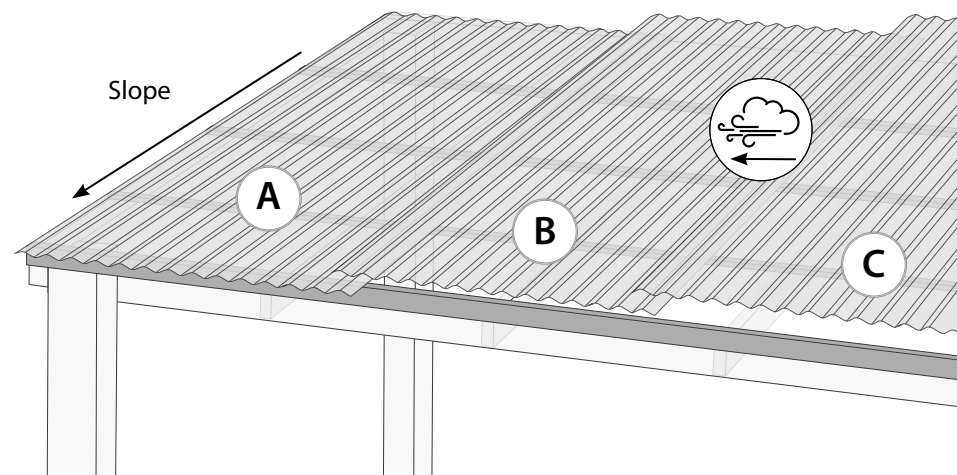
### Sheet length



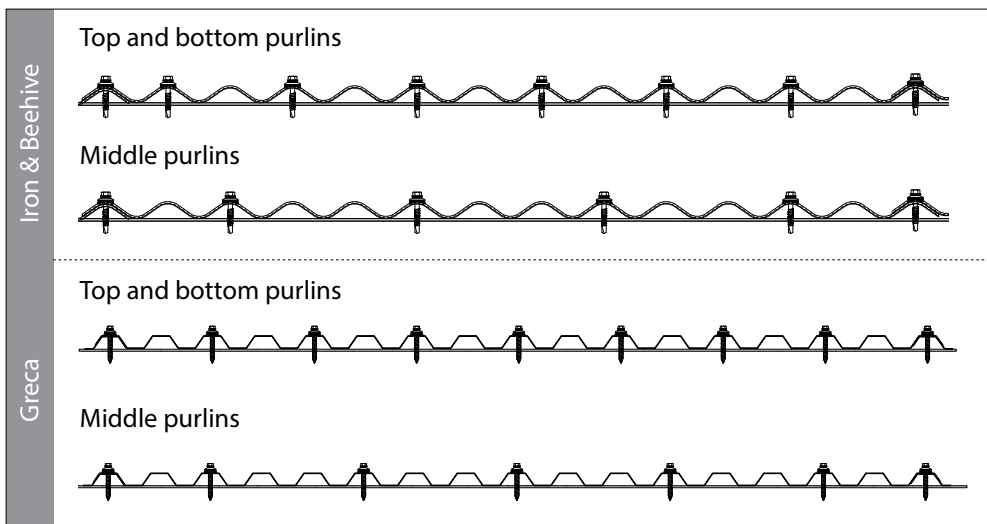
Before installing sheets longer than 7 meters, please contact your PALRAM representative.



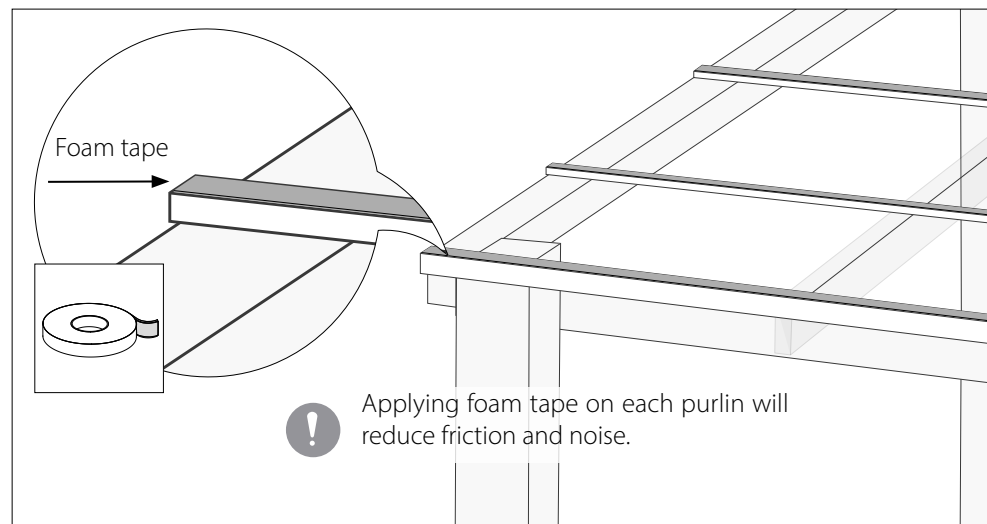
### Recommended order of installation



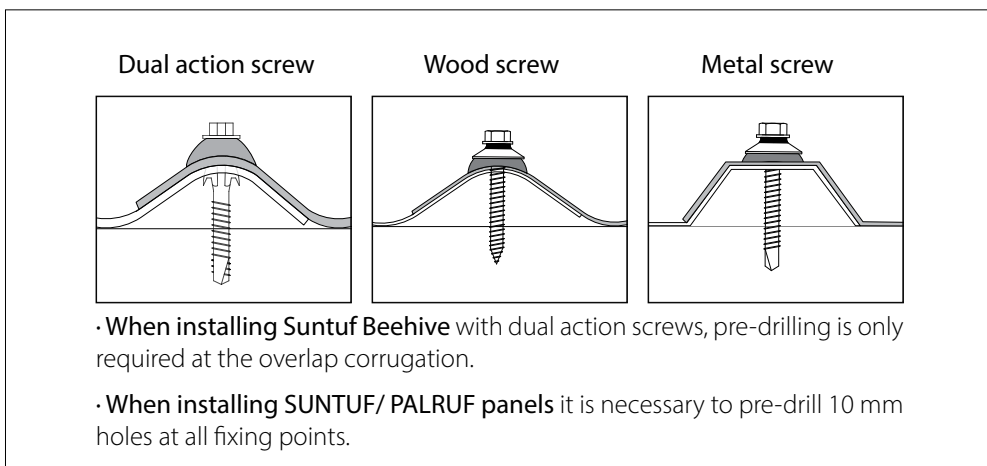
**!** Screw scheme



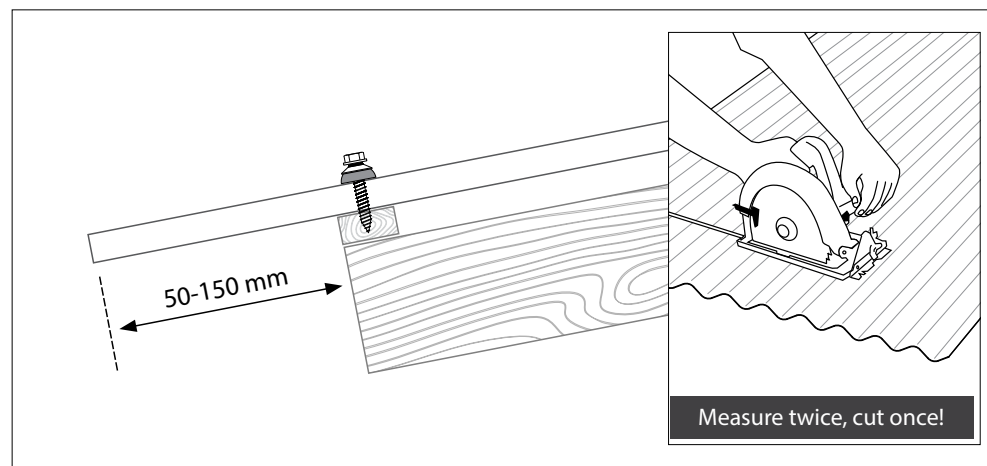
**1** Foam tape application



**!** Overlap

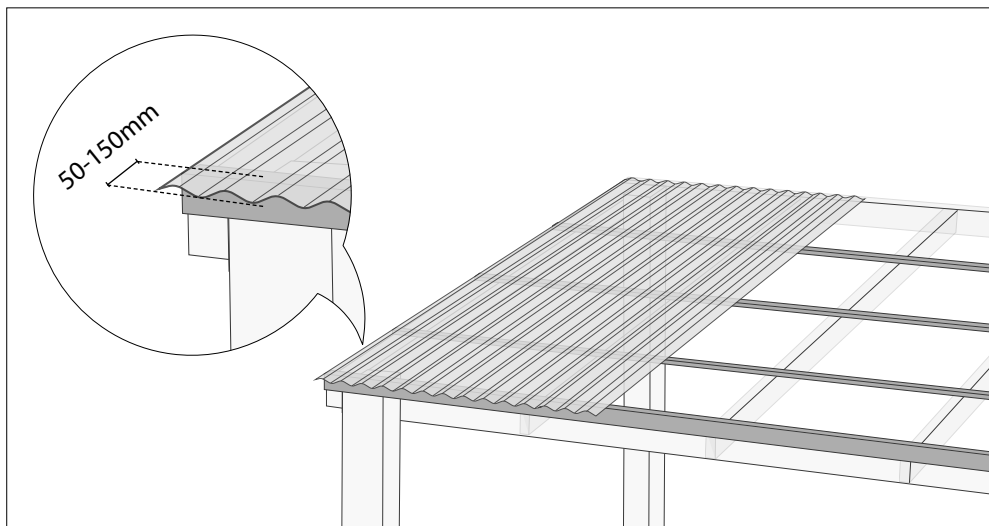


**2** Measuring and cutting

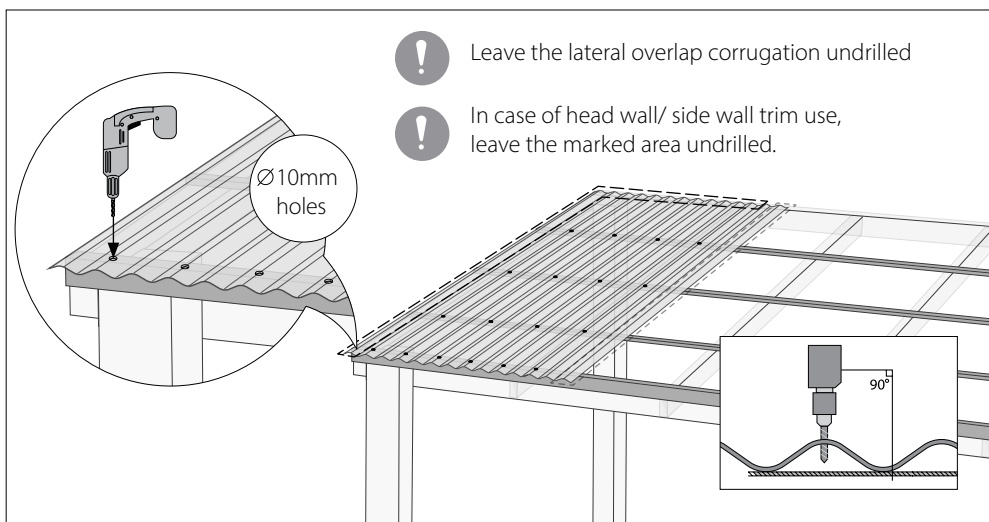




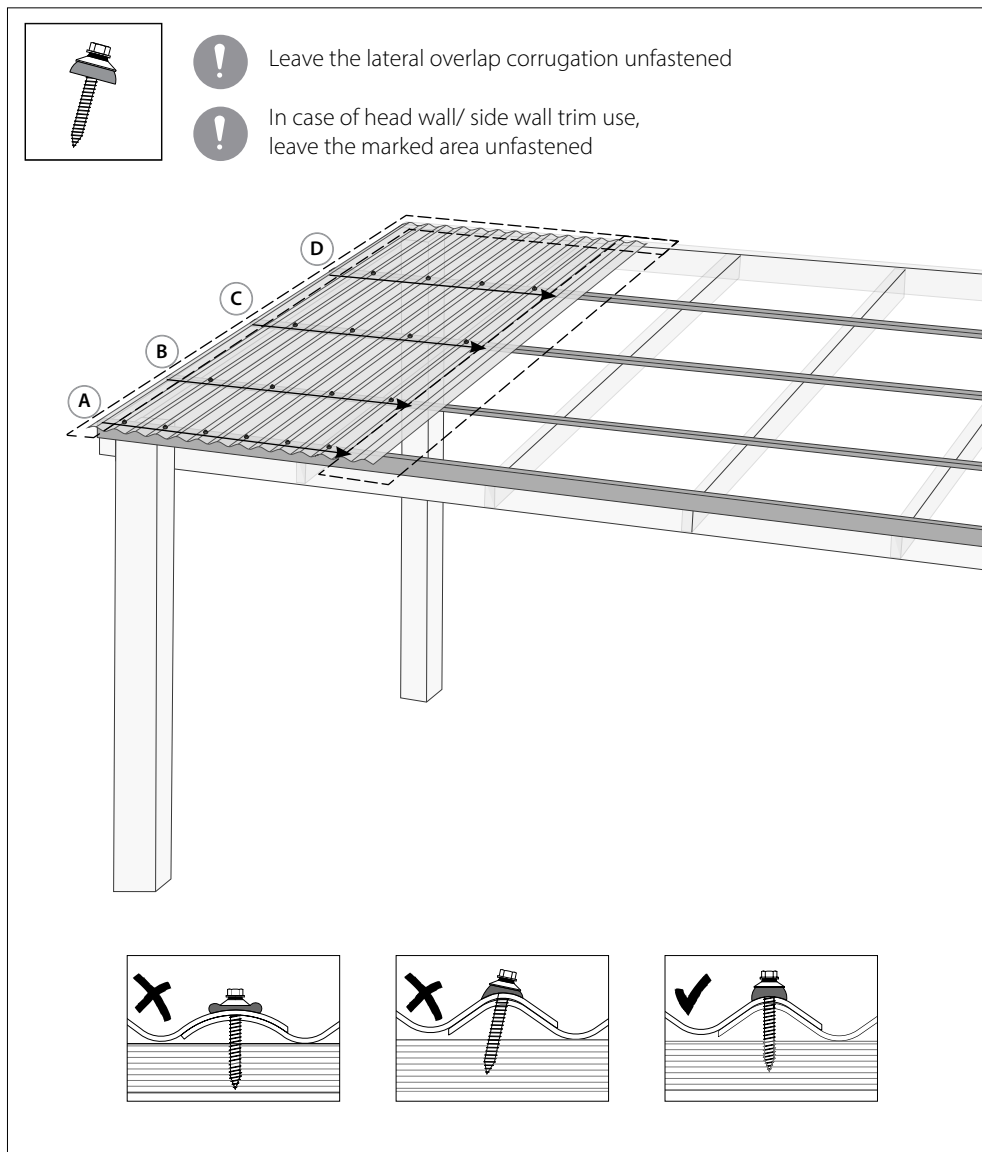
### 3 Setting the first sheet



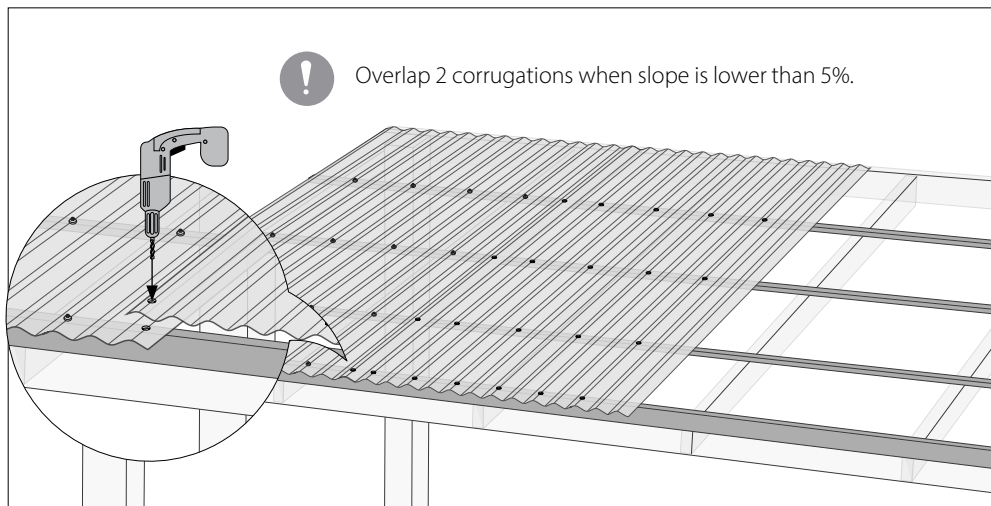
### 4 Drilling the first sheet



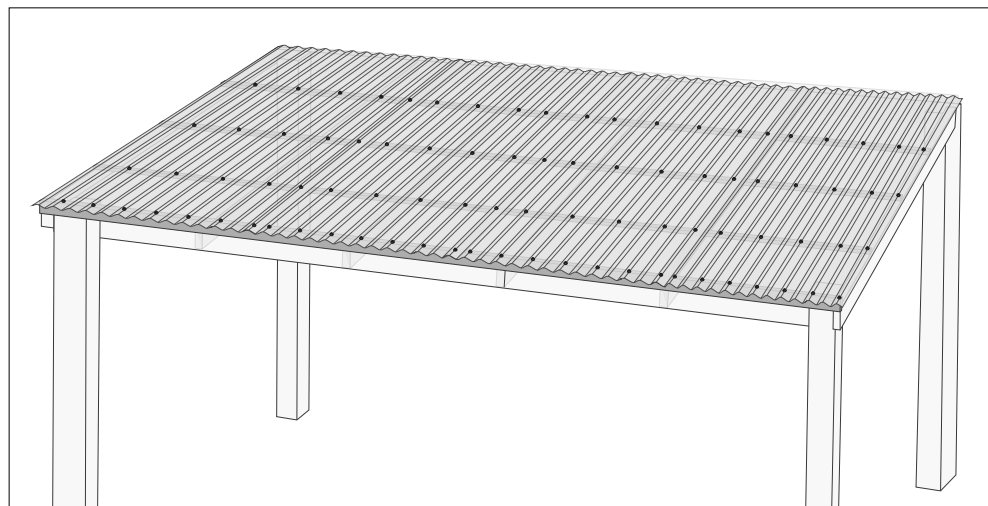
### 5 Fixing the first sheet



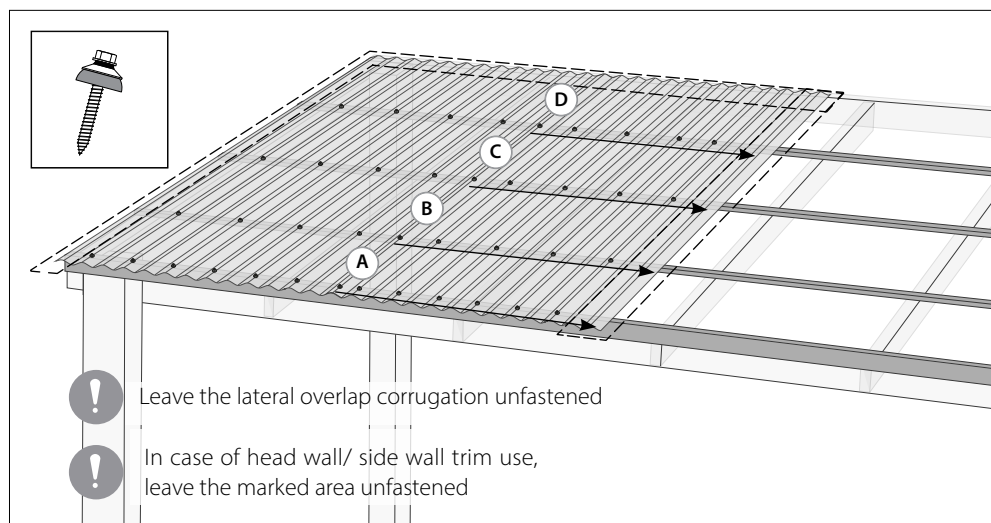
**6** Setting & drilling the second sheet



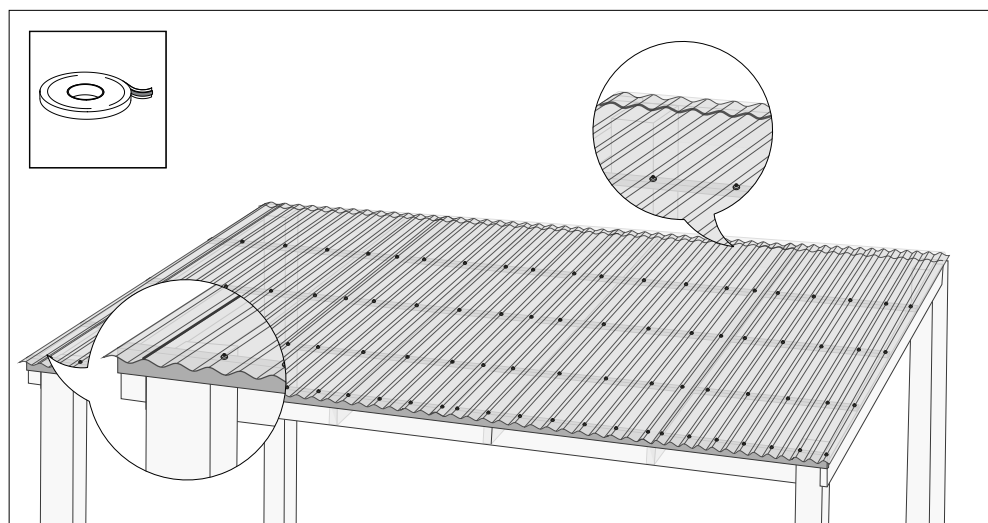
**8** Repeat stages 6-7 until the pergola is fully covered



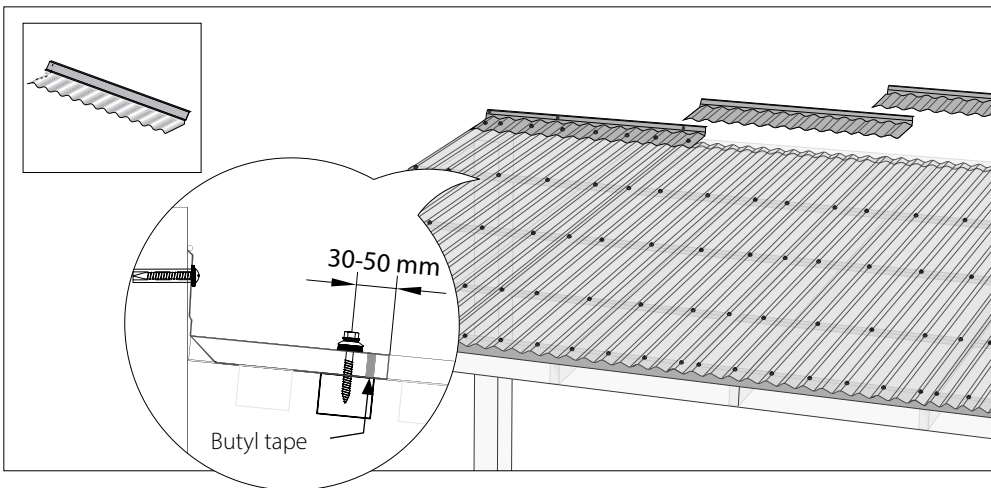
**7** Fixing the second sheet



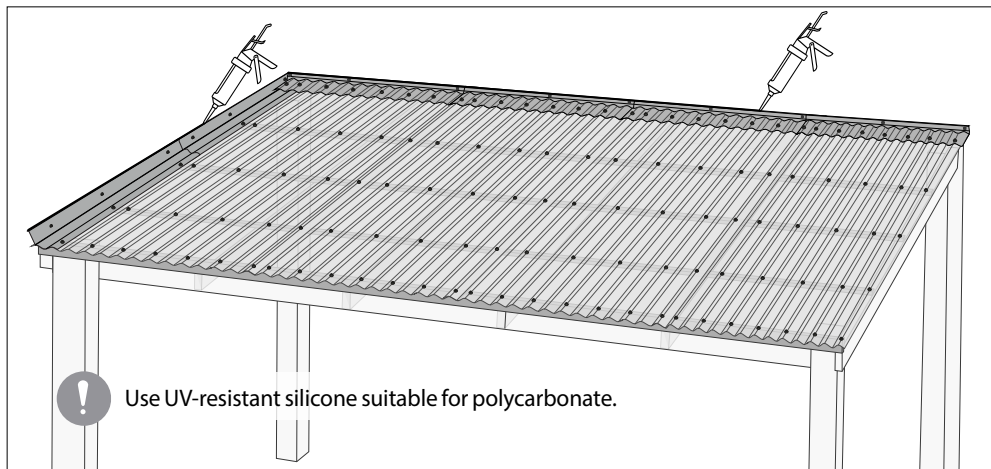
**!** Use a butyl sealing tape between the sheet and the wall trim/ ridge cap accessory.



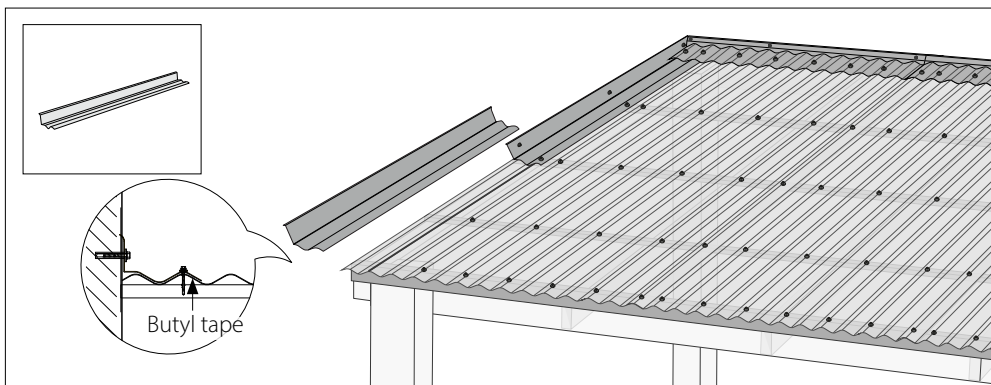
**9** Head wall trim



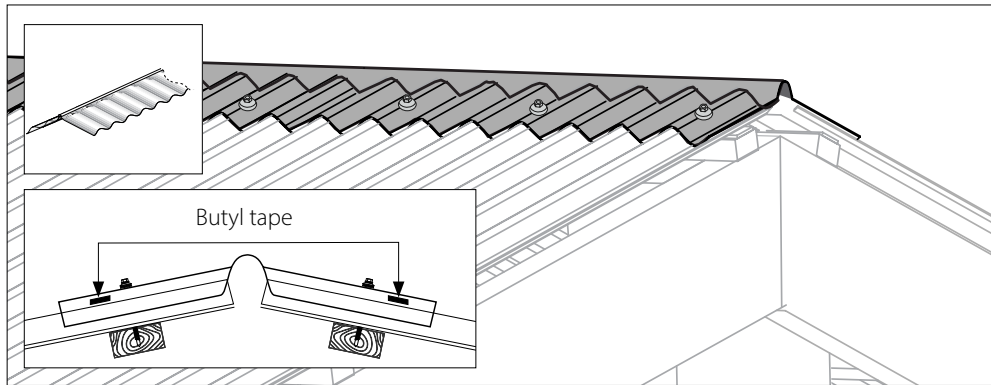
**11** Silicone



**10** Side wall trim



**12** Universal ridge cap



**PALRAM H.Q.**  
 Tel: +972 4 8459900  
 Fax: +972 4 8444012  
 palram@palram.com  
 www.palram.com

**PALRAM EUROPE LTD.**  
 Tel: +44 1302 380777  
 Fax: +44 1302 380788  
 sales.europe@palram.com

**PALRAM SOUTH AFRICA**  
 Tel: +27 11 8731581  
 Fax: +27 11 8731814  
 sales.africa@palram.com

**PALRAM INDIA PVT LTD**  
 701, Tanishka, Near Growel's Mall, Akurli Road,  
 Kandivali East, Mumbai 400101, India  
 Tel. +91-22-28626880  
 Email. palram.india@palram.com  
 Web. www.palram.com

